

# SANITARY BALL VALVE

# Product Catalog

NEW PRODUCT YEAR 2025

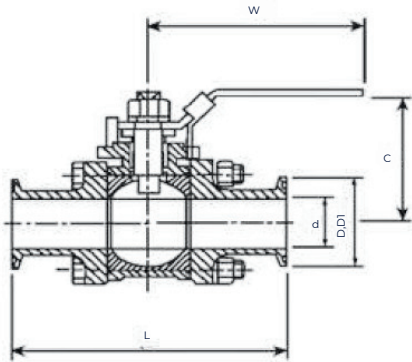


[www.abo-green.com](http://www.abo-green.com)





## 3-PIECE SANITARYBALL VALVE



### 3 PIECE BALL VALVE (CLAMP END)

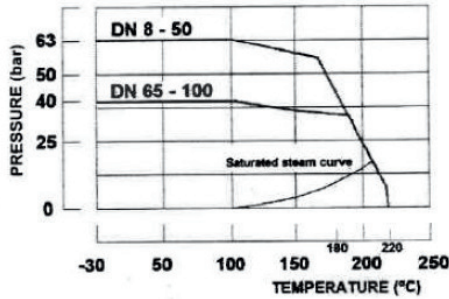
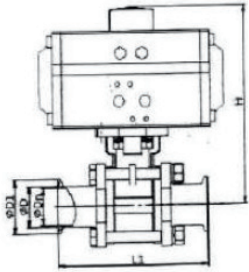
SIZE	C	L	W	D	D	D1
1/2"	63	90	123	9.5	25.4	12.7
3/4"	69	102	123	15.9	25.4	19
1"	83	114	163	22.2	50.4	25.4
1.5"	115	140	218	35	50.4	38.1
2"	118	159	218	47.6	63.6	50.8
2.5"	125	197	226	60.2	77.5	63.5
3"	136	227	269	73	90.8	76.2
4"	160	241	304	97.4	118.5	101.6

<b>PRODUCT APPLICATION</b>	<b>: 3-PIECE BODY SANITARY BALL VALVE</b> <b>: ON-OFF VALVE, BY TURNING THE VALVE BALL, SPECIAL DESIGN FOR PRODUCT LINE WITH HIGH VISCOSSITY, HIGH PRESSURE &amp; HIGH TEMPERATURE</b>
<b>TYPE</b>	<b>: MANUAL BY TURNING HANDLE</b>
<b>OPTIONAL BODY CONFIGURATION</b>	<b>: CONTROL &amp; INDICATION UNIT TO BE MOUNTED ON ACTUATOR</b> <b>: 2 WAY OR 3 WAY</b>
<b>BODY MATERIAL</b>	<b>: STAINLESS STEEL 316 MADE OUT FROM PRECISION CNC MILLING MACHINE</b> <b>: BODY CAN CHANGEABLE, LOW TORQUE.SMS, DIN, 3A WELD END AND CLAMP END.</b>
<b>VALVE SEAL MATERIAL</b>	<b>: PTFE</b>
<b>WORKING TEMPERATURE</b>	<b>: -10 DEGREE C TO 220 DEGREE C</b>
<b>AIR PRESSURE FOR AIR ACTUATOR SIZE</b>	<b>: 5 - 7 BAR</b> <b>: 2 WAY 0.5" - 4" (STANDARD DESIGN WITH TC FERRULE END)</b> <b>: 3 WAY 0.5" - 3" (STANDARD DESIGN WITH TC FERRULE END)</b>





### 3-PIECE SANITARY BALL VALVE WITH PNEUMATIC ACTUATOR



3-Piece Sanitary Ball Valve with Pneumatic Actuator

SIZE	DN	Dn	D	D1	L1	H
1/2"	10	9.4	12.7	25.2	90	128
3/4"	15	15.8	19.1	25.2	102	135
1"	25	22.1	25.4	50.5	114	144
1.5"	40	34.8	38.1	50.5	138	180
2"	50	47.5	50.8	64	156	199
2.5"	65	60.2	63.5	77.5	170	223
3"	80	72.9	76.2	91	197	250
4"	100	97.4	101.6	119	242	297

#### PRODUCT APPLICATION

: 3-PIECE BODY SANITARY BALL VALVE WITH PNEUMATIC ACTUATOR  
: ON-OFF VALVE, BY TURNING THE VALVE BALL, SPECIAL DESIGN FOR PRODUCT LINE WITH HIGH VISCOSITY, HIGH PRESSURE & HIGH TEMPERATURE PRODUCT

#### TYPE

: PNEUMATIC WITH AIR ACTUATOR

#### OPTIONAL

: CONTROL & INDICATION UNIT TO BE MOUNTED ON ACTUATOR

#### BODY

: 2 WAY OR 3 WAY

#### CONFIGURATION

: STAINLESS STEEL 316 MADE OUT FROM PRECISION CNC MILLING MACHINE

#### BODY MATERIAL

: BODY CAN CHANGEABLE, LOW TORQUE.SMS, DIN, 3A WELD END AND

VALVE SEAL MATERIAL : CLAMP END.

#### WORKING

: PTFE

#### TEMPERATURE

: -30 DEGREE C TO 220 DEGREE C

#### WORKING PRESSURE

: DN10 TO DN40 (MAXIMUM 63 BAR)

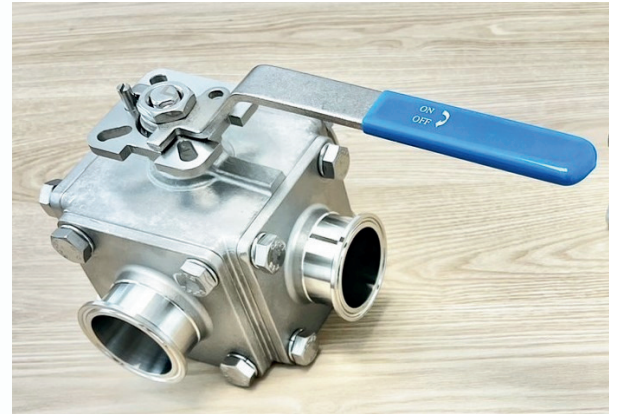
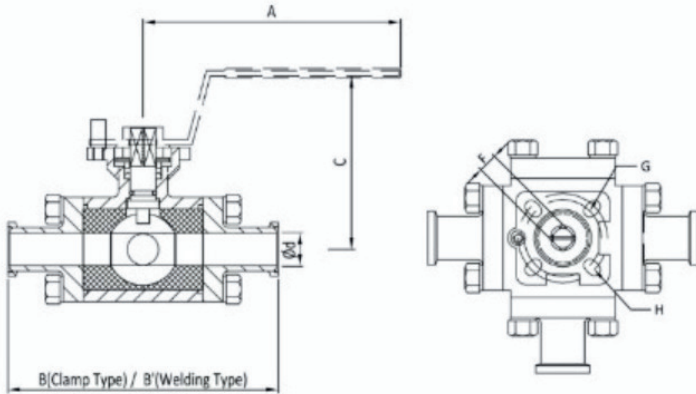
: DN50 TO DN100

#### SIZE

: 1/2" - 4" (DN10-DN100) (STANDARD DESIGN WITH TC FERRULE END)



**4-PIECE SANITARY BALL VALVE**



4-Piece Sanitary Ball Valve								
SIZE	A	B (Clamp Type)	B (Welding Type)	C	d	E	F	G
1/2"	121	118	118	78	9.5	9	F03	F04
3/4"	121	127	127	82	15.8	9	F03	F04
1"	137	152.4	152.4	90	22.2	11	F04	F05
1.5"	182	175	175	110	35	14	F05	F07
2"	182	200	200	114.7	47.6	14	F05	F07
2.5"	370	238	238	108	60.3	17	F07	F10
3"	400	270	270	134	73	22	F07	F12
4"	400	289.56	289.56	172.72	97.48	17	F07	F12

**PRODUCT APPLICATION**

**: 4-PIECE BODY SANITARY BALL VALVE  
: PROVIDING SUPERIOR EASE OF OPERATION, THESE BALL VALVES CAN MAINTAIN**

**TYPE OPTIONAL BODY CONFIGURATION**

**AND REGULATE HIGH VOLUME, HIGH PRESSURE, AND HIGH TEMPERATURE FLOW.**

**BODY MATERIAL**

**COMPACT DESIGN FOR AREAS WITH TIGHT SPACE RESTRICTIONS.  
: MANUAL BY TURNING HANDLE, PNEUMATIC WITH AIR ACTUATOR  
: CONTROL & INDICATION UNIT TO BE MOUNTED ON ACTUATOR  
: T-PORT OR L-PORT  
: STAINLESS STEEL 316L MADE OUT FROM PRECISION CNC MILLING MACHINE  
: BODY CAN CHANGEABLE, LOW TORQUE.SMS, DIN, 3A WELD END AND CLAMP END.**

**VALVE SEAL MATERIAL  
WORKING TEMPERATURE  
WORKING PRESSURE  
SIZE**

**: PTFE  
: -10 DEGREE C TO 150 DEGREE C  
: 5 - 7 BAR  
: 1/2" - 4" & DN15 -DN100 (STANDARD DESIGN WITH TC FERRULE END)**

