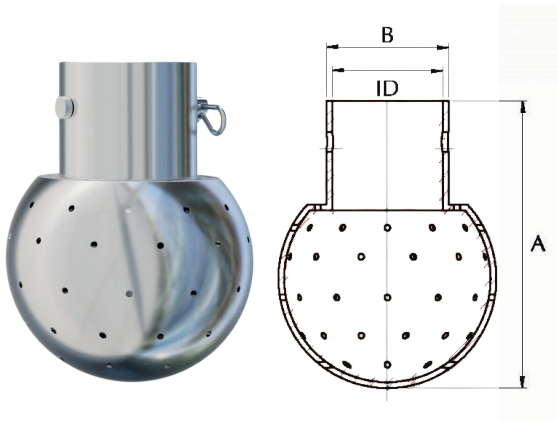




SPRAY BALL



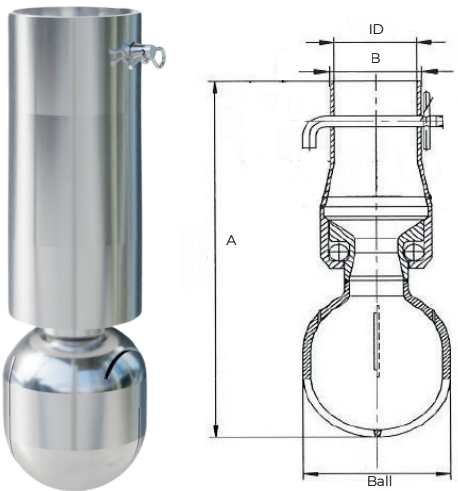
Static Spray Ball

SIZE	A	B	ID	Ball Size
1"	83	30	25.4	38
1.5"	100	42	38.1	75
2"	103	56	50.8	91

Technical Data

SIZE	Pressure (Bar)	Cleaning radius (M)	360 / 180 Fluxation m3/h
1"	2.5	1.0-1.25	17/10
1.5"	2.5	1.25-1.75	23/17
2"	3.5	2.0-3.0	55/38

Product : Static Spray Ball
Application : To be installed in tank for self-cleaning
Body Material : Stainless Steel 304 & 316L made out from precision CNC milling machine



Rotary Spray Ball (Clip-On)

SIZE	A	B	ID	Ball Size
1"	128	30	25.4	45
1.5"	153	42	38.1	65
2"	209	56	50.8	65

Technical Data

SIZE	Pressure (Bar)	Cleaning radius (M)	360 / 180 Fluxation m3/h
1"	3	1.25	12
1.5"	3	1.5	38
2"	3	2.0	38

Product : Rotary Spray Ball (Clip-On)
Application : To be installed in tank for self-cleaning
Body Material : Stainless Steel 304 & 316L made out from precision CNC milling machine

