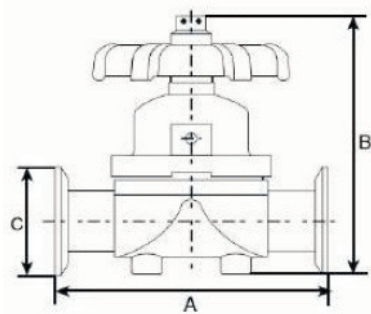


# DIAPHRAGM VALVE

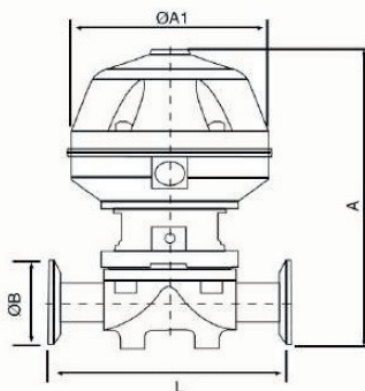


## Diaphragm Valve



### Diaphragm Valve Clamp End

SIZE	DIN	A	B	C
1/2"	10	100	135	25
3/4"	15	125	142	50.5
1"	25	125	142	50.5
1.5"	40	160	170	50.5
2"	50	190	224	64



### Diaphragm Valve With Actuator

SIZE	DIN	A	B	C
3/4"	15	197.5	50.5	125
1"	25	197.5	50.5	125
1.5"	40	240	50.5	160

**Product**

: Aseptic Diaphragm Valve

**Application**

: A flow regulating & on-off valve by lifting and lowering the diaphragm in the valve

**Type**

: Manual by turning handle, Pneumatic with air actuator

**Optional**

: Control & Indication Unit to be mounted on actuator

**Body Configuration**

: 2 way or 3 way

**Body Material**

: Stainless Steel 316L made out from precision CNC milling machine

**Diaphragm Material**

: EPDM+PTFE

**Working Pressure**

: Maximum 8 bar

**Working Temperature**

: -10 degree C to 220 degree C

**Connection Type**

: Weld End & TC ferrule end

**Air Pressure for Air Actuator**

: 5 - 7 bar

**Size**

: 1/2" - 2"

