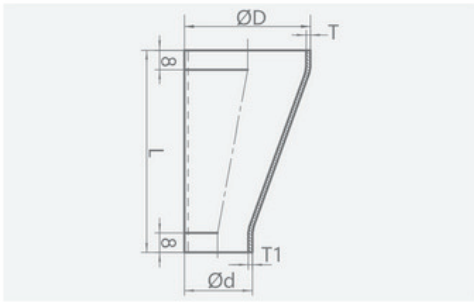


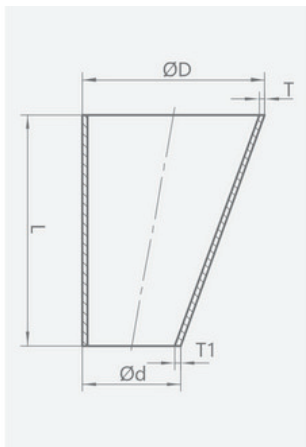


ECCENTRIC REDUCER



ECC Reducer (Inch Standard)

INCH	OD	Od	L	T	T1
1.5" X 1"	38.1	25.4	46	1.25	1.25
2" X 1"	50.8	25.4	68	1.25	1.25
2" X 1.5"	50.8	38.1	47	1.25	1.25
2.5" X 1"	63.5	25.4	67/92	1.5	1.25
2.5" X 1.5"	63.5	38.1	70	1.5	1.25
2.5" X 2"	63.5	50.8	67/44	1.5	1.25
3" x 1.5"	76.2	38.1	82/92	1.6	1.25
3" x 2"	76.2	50.8	82/68	1.6	1.25
3" x 2.5"	76.2	63.5	47	1.6	1.5
4" x 2"	101.6	50.8	102/117	2	1.25
4" x 2.5"	101.6	63.5	102/94	2	1.5
4" x 3"	101.6	76.2	82/74	2	1.6



ECC Reducer (DIN Standard)

INCH	OD	Od	L	T	T1
DN32 X DN25	34 / 35	28 / 29	16.5 / 48	1.5	1.5
DN40 X DN25	40 / 41	28 / 29	33 / 48	1.5	1.5
DN40 X DN32	40 / 41	34 / 35	16.5 / 48	1.5	1.5
DN50 X DN25	52 / 53	28 / 29	66 / 67	1.5	1.5
DN50 X DN32	52 / 53	34 / 35	49.5 / 48	1.5	1.5
DN50 X DN40	52 / 53	40 / 41	33 / 48	1.5	1.5
DN65 X DN40	70	40 / 41	77 / 82	2	1.5
DN65 X DN50	70	52 / 53	44 / 67	2	1.5
DN80 X DN50	85	52 / 53	85 / 82	2	1.5
DN80 X DN65	85	70	41.2 / 67	2	2
DN100 X DN50	104	52 / 53	137.5 / 102	2	1.5
DN100 X DN65	104	70	93.5 / 82	2	2
DN100 X DN80	104	85	52.5 / 67	2	2

