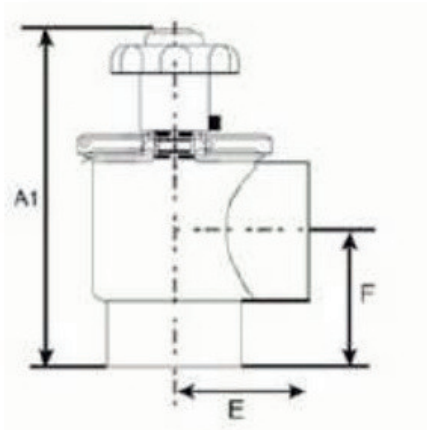




FLOW CONTROL VALVE



Flow Control Valve			
SIZE	A1	E	F
1"	184	68	43
1.5"	184	68	50
2"	184	68	57
2.5"	227	85	75
3"	253	92.5	79
2.5"	302	116.5	106

- Product** : Flow Control Valve
- Application** : A flow regulating valve by lifting and lowering a parabolic type closing plug.
- Type** : Manual by turning handle
- Body Material** : Stainless Steel 316L made out from precision CNC milling machine
- Rubber Material** : EPDM
- Working Pressure** : Maximum 10 bar
- Working Temperature** : -10 degree C to 135 degree C
- Connection Type** : Weld End & TC ferrule end
- Size** : 1/2" - 2"

