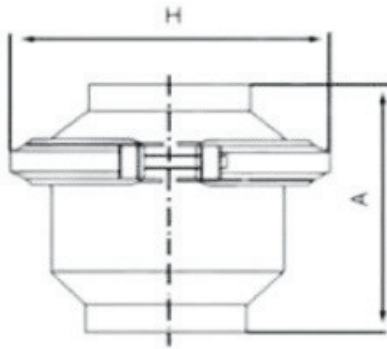


NON RETURN VALVE



Non Return Valve		
SIZE	H	A
1"	86	81
1.5"	86	81
2"	98	91
2.5"	120	95
3"	138	101
2.5"	160	125

- Product** : Non Return Valve
- Application** : Designed to prevent reverse flow in pipeline
- Body Material** : Stainless Steel 316L made out from precision CNC milling machine
- Rubber Material** : EPDM, Silicone & Viton
- Working Pressure** : Maximum 8 bar
- Working Temperature** : -10 degree C to 135 degree C with EPDM seal
 : -10 degree C to 170 degree C with Silicone seal
 : -10 degree C to 200 degree C with Viton seal
- Connection Type** : Weld End & TC ferrule end
- Size** : 1" - 4"

