



PRESSURE RELIEF VALVE

**SINCE 1922,
PRECISION MADE GREAT**

TASSALINI



PRESSURE RELIEF VALVES

APPLICATION

Pressure relief valves are designed to relieve excess pressure in processing pipelines. As soon as the pressure in the pipeline exceeds the pre-set maximum operating pressure the valve opens and relieves the excess pressure. Once the pressure returns within the pre-set range the valve closes again.

FEATURES

The pressure control element is located inside the valve body to ensure that no accidental operation of the valve occurs.

The valve opening pressure is adjustable from 0.5 to 5 bar. On request valves can be supplied adjustable up to 12 bar.



TASSALINI S.P.A.

Via G. Di Vittorio 19/21 | 20068 Peschiera Borromeo (MI) | Italy
t +39 02 55 38 311 | f +39 02 54 73 441 | info@tassalini.it | www.tassalini.com

www.abo-green.com

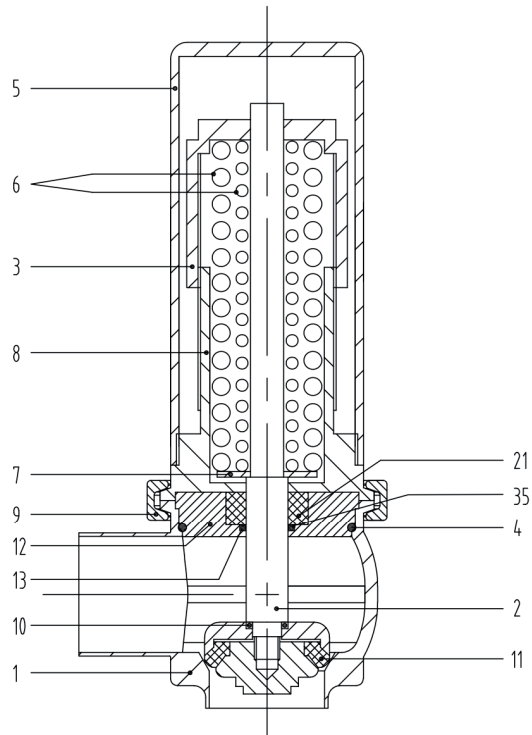


**SINCE 1922,
PRECISION MADE GREAT**

TASSALINI 

PRESSURE RELIEF VALVES

COMPONENTS



PARTS LIST		
1	Valve casing	Aisi 304L/Aisi 316L
2	Head seal	Aisi 304L/Aisi 316L
3	Adjusting cap	Brass
4	OR seal ring	NBR/VMQ/EPDM/FPM-FKM
5	Cover	Aisi 304L
6	Spring	Aisi 304L
7	Washer	Aisi 304L
8	Main assembly	Aisi 304L
9	Clamp	Aisi 304L
10	OR seal ring	NBR/VMQ/EPDM/FPM-FKM
11	Lip seal	PTFE/VMQ/EPDM/FPM-FKM
12	Head	Aisi 316L
13	OR seal ring	NBR/VMQ/EPDM/FPM-FKM
21	Bush	PTFE
35	Washer	PTFE

**SINCE 1922,
PRECISION MADE GREAT**

TASSALINI



PRESSURE RELIEF VALVES

TECHNICAL DATA Max. product pressure: 12 bar.

General temperature range: -10°C +95°C (+15°F +205°F).

Seals temperature range:

- PTFE: -10°C +150°C (+15°F +300°F);
- NBR: -10°C +100°C (+15°F +210°F);
- VMQ: -50°C +200°C (-60°F +390°F);
- EPDM: -30°C +140°C (-20°F +280°F);
- FPM-FKM: -15°C +220°C (+5°F +430°F);

NBR, EPDM, VMQ, FPM-FKM seal rings and OR: 3-A and FDA approved.

Inside finish of parts in contact with product: Max Ra 0.8 µm.

Production range: DN 25 to DN 80, 1" to 3".

Connections: welding end, threaded end, liner and nut end, ferrule end.

Standards: DIN, SMS, RJT BS, IDF ISS, CLAMP.

Steel grades: Aisi 304L, Aisi 316L.

OPERATING PRESSURE TABLES

Pressure relief valves DIN standards:

SPRING CODE	VALVE SIZE					
	DN 25	DN 32	DN 40	DN 50	DN 65	DN 80
630 25/28 06	0.5-5 bar	0.5-3 bar	0.5-3 bar	0.5-1.5 bar	0.5-0.9 bar	0.4 bar
630 34/40 06	0.5-8 bar	0.5-5 bar	0.5-5 bar	0.5-3 bar	0.5-1.8 bar	0.5-0.9 bar
630 51/52 06	0.5-15 bar	0.5-7 bar	0.5-7 bar	0.5-5 bar	0.5-3.1 bar	0.5-2.2 bar
630 63/85 06	0.5-25 bar	0.5-12 bar	0.5-12 bar	0.5-7 bar	0.5-4.5 bar	0.5-3.5 bar

Pressure relief valves SMS, RJT BS, IDF ISS, Clamp standards:

SPRING CODE	VALVE SIZE				
	1"	1 ½"	2"	2 ½"	3"
630 25/28 06	0.5-5 bar	0.5-3 bar	0.5-1.5 bar	0.5-1 bar	0.5 bar
630 34/40 06	0.5-8 bar	0.5-5 bar	0.5-3 bar	0.5-2 bar	0.5-1 bar
630 51/52 06	0.5-15 bar	0.5-7 bar	0.5-5 bar	0.5-3.5 bar	0.5-2.5 bar
630 63/85 06	0.5-25 bar	0.5-12 bar	0.5-7 bar	0.5-5 bar	0.5-4 bar

 = operating pressure range with standard springs



**SINCE 1922,
PRECISION MADE GREAT**

TASSALINI



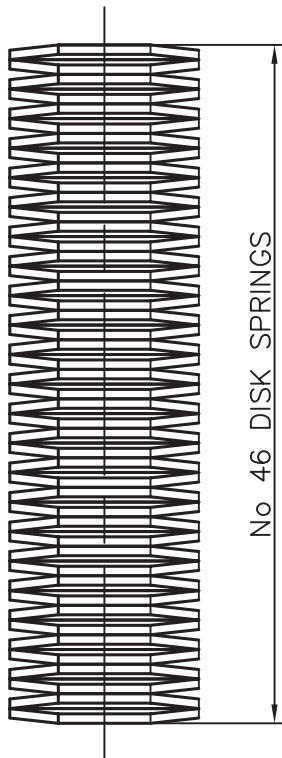
PRESSURE RELIEF VALVES

OPERATING PRESSURE TABLES

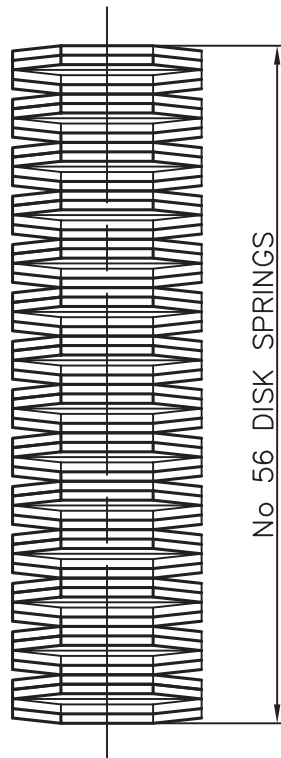
Pressure relief valves are adjustable from 0.5 to 5 bars with standard springs. On request, using bigger springs, they are adjustable up to 12 bars. 1 1/2" - DN 40, 2" - DN 50 and 2 1/2" - DN 65 valves are adjustable up to 12 bars using disc springs.

Pressure relief valves with disc springs:

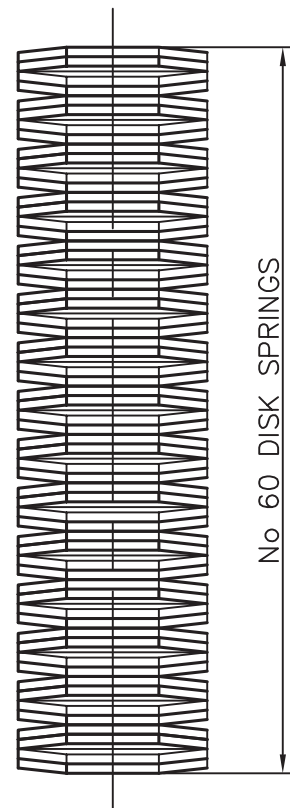
NO. SPRINGS	VALVE SIZE		
	1 1/2" - DN 40	2" - DN 50	2 1/2" - DN 65
46	8 bar	8 bar	
56	9-12 bar	9-12 bar	8-10 bar
60			11-12 bar



1 1/2" - DN 40



2" - DN 50



2 1/2" - DN 65



**SINCE 1922,
PRECISION MADE GREAT**

TASSALINI

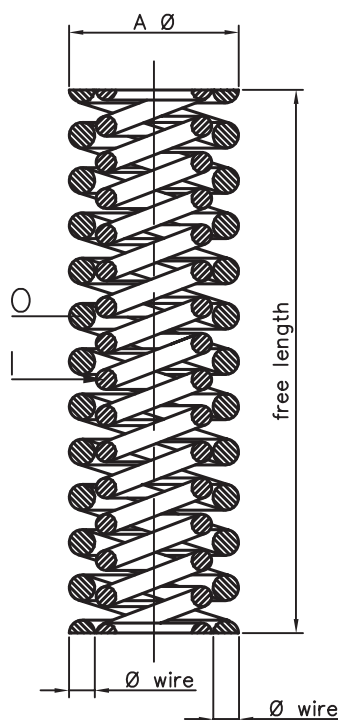


PRESSURE RELIEF VALVES

SPRINGS

Spring kit dimensions (inside spring I + outside spring O):

VALVE SIZE	SPRING CODE	A Ø	Ø WIRE	NO. COILS	FREE LENGTH
25/28 - I	630 25/28 6	17.9 mm	2.2 mm	15	95 mm
25/28 - O	630 25/28 6	26 mm	3 mm	13	95 mm
34/40 - I	630 34/40 6	19.1 mm	2.8 mm	15	95 mm
34/40 - O	630 34/40 6	27 mm	3.5 mm	11 ¾	95 mm
51/52 - I	630 51/52 6	20.2 mm	3.5 mm	16	95 mm
51/52 - O	630 51/52 6	29.7 mm	4.5 mm	13	95 mm
63/70 - I	630 63/70 6	21 mm	4 mm	14 ¾	95 mm
63/70 - O	630 63/70 6	32 mm	5 mm	10	95 mm



For further technical information, section and dimensional drawings and range of models available please refer to our series of product brochures, technical catalogues and valve manuals.

