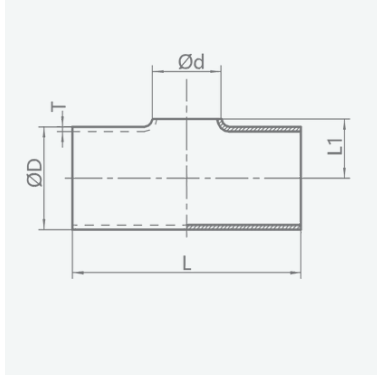


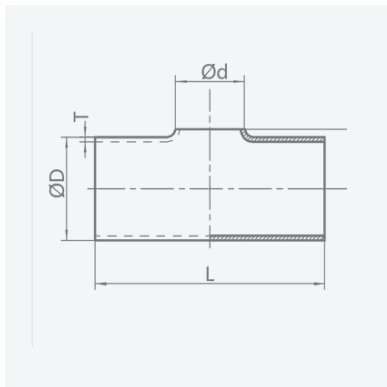


REDUCING TEE



Pulled Tee Reducer (Inch Standard)

INCH	OD	Od	L	L1	T
1.5" X 1"	38.1	25.4	97	21	1.25
2" X 1"	50.8	25.4	121	29	1.25
2" X 1.5"	50.8	38.1	121	29	1.25
2.5" X 1"	63.5	25.4	135	34.5	1.5
2.5" X 1.5"	63.5	38.1	135	35	1.5
2.5" X 2"	63.5	50.8	135	36	1.5
3" X 1"	76.2	25.4	220	41	1.6
3" X 1.5"	76.2	38.1	150	42	1.6
3" X 2"	76.2	50.8	150	43	1.6
3" X 2.5"	76.2	63.5	150	43	1.6
4" X 1"	101.6	25.4	300	56	2
4" X 1.5"	101.6	38.1	300	56	2
4" X 2"	101.6	50.8	200	57	2
4" X 2.5"	101.6	63.5	200	58	2
4" X 3"	101.6	76.2	200	58	2

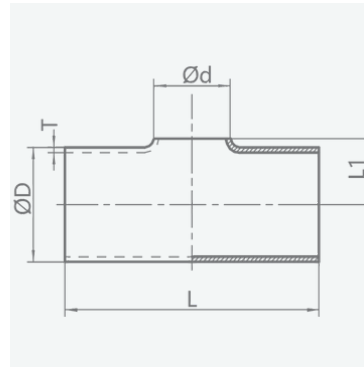
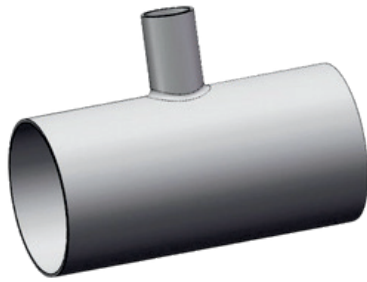


Equal Tee Reducer (Inch Standard)

INCH	OD	Od	L	T
1.5" X 1"	38.1	25.4	97	1.25
2" X 1"	50.8	25.4	121	1.25
2" X 1.5"	50.8	38.1	121	1.25
2.5" X 1"	63.5	25.4	135	1.5
2.5" X 1.5"	63.5	38.1	135	1.5
2.5" X 2"	63.5	50.8	135	1.5
3" X 1"	76.2	25.4	220	1.6
3" X 1.5"	76.2	38.1	150	1.6
3" X 2"	76.2	50.8	150	1.6
3" X 2.5"	76.2	63.5	150	1.6
4" X 2"	101.6	50.8	200	2
4" X 2.5"	101.6	63.5	200	2
4" X 3"	101.6	76.2	200	2



Reducing Tee

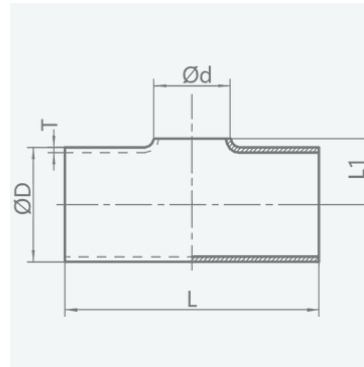


Equal Tee Reducer (DIN Standard)

INCH	OD	Od	L	L1	T	T1
DN15 X DN10	18 / 19	12 / 13	70	35	1.5	1.5
DN20 X DN15	22 / 23	18 / 19	80	40	1.5	1.5
DN25 X DN15	28 / 29	18 / 19	100	50	1.5	1.5
DN25 X DN20	28 / 29	22 / 23	100	50	1.5	1.5
DN32 X DN25	34 / 35	28 / 29	110	55	1.5	1.5
DN40 X DN25	40 / 41	28 / 29	120	60	1.5	1.5
DN40 X DN32	40 / 41	34 / 35	120	60	1.5	1.5
DN50 X DN25	52 / 53	28 / 29	140	70	1.5	1.5
DN50 X DN32	52 / 53	34 / 35	140	70	1.5	1.5
DN50 X DN40	52 / 53	40 / 41	140	70	1.5	1.5
DN65 X DN25	70	28 / 29	160	80	2	1.5
DN65 X DN32	70	34 / 35	160	80	2	1.5
DN65 X DN40	70	40 / 41	160	80	2	1.5
DN65 X DN50	70	52 / 53	160	80	2	1.5
DN80 X DN25	85	28 / 29	180	90	2	1.5
DN80 X DN40	85	40 / 41	180	90	2	1.5
DN80 X DN50	85	52 / 53	180	90	2	1.5
DN80 X DN65	85	70	180	90	2	2
DN100 X DN25	104	28 / 29	200	100	2	1.5
DN100 X DN40	104	40 / 41	200	100	2	1.5
DN100 X DN50	104	52 / 53	200	100	2	1.5
DN100 X DN65	104	70	200	100	2	2
DN100 X DN80	104	80	200	100	2	2
DN125 X DN25	129	28 / 29	375	187	2	1.5
DN125 X DN40	129	40 / 41	375	187	2	1.5
DN125 X DN50	129	52 / 53	375	187	2	1.5
DN125 X DN65	129	70	375	187	2	2
DN125 X DN80	129	85	375	187	2	2
DN125 X DN100	129	104	375	187	2	2
DN150 X DN25	154	28 / 29	450	220	2	1.5
DN150 X DN40	154	40 / 41	450	220	2	1.5
DN150 X DN50	154	52 / 53	450	220	2	1.5
DN150 X DN80	154	85	450	225	2	2
DN150 X DN100	154	104	450	225	2	2
DN150 X DN125	154	129	450	225	2	2
DN200 X DN65	204	70	600	300	2	2
DN200 X DN100	204	104	600	300	2	2



Reducing Tee



Pulled Tee Reducer (DIN Standard)

INCH DN15 X	OD	Od	L	L1	T	T1
DN10 DN20 X	18 / 19	12 / 13	70	11	1.5	1.5
DN15 DN25 X	22 / 23	18 / 19	80	13	1.5	1.5
DN15	28 / 29	18 / 19	100	16	1.5	1.5
DN25 X DN20	28 / 29	22 / 23	100	16	1.5	1.5
DN32 X DN25	34 / 35	28 / 29	110	19	1.5	1.5
DN40 X DN25	40 / 41	28 / 29	120	23	1.5	1.5
DN40 X DN32	40 / 41	34 / 35	120	23	1.5	1.5
DN50 X DN25	52 / 53	28 / 29	140	29	1.5	1.5
DN50 X DN32	52 / 53	34 / 35	140	29	1.5	1.5
DN50 X DN40	52 / 53	40 / 41	140	29	1.5	1.5
DN65 X DN25	70	28 / 29	160	38	2	1.5
DN65 X DN40	70	40 / 41	160	39.5	2	1.5
DN65 X DN50	70	52 / 53	160	39	2	1.5
DN80 X DN25	85	28 / 29	180	46.5	2	1.5
DN80 X DN40	85	40 / 41	180	46.5	2	1.5
DN80 X DN50	85	52 / 53	180	46.5	2	1.5
DN80 X DN65	85	70	180	46.5	2	2
DN100 X DN25	104	28 / 29	200	56	2	1.5
DN100 X DN40	104	40 / 41	200	56	2	1.5
DN100 X DN50	104	52 / 53	200	56	2	1.5
DN100 X DN65	104	70	200	56	2	2
DN100 X DN80	104	85	200	56	2	2
DN125 X DN25	129	28 / 29	375	68.5	2	1.5
DN125 X DN40	129	40 / 41	375	69.5	2	1.5
DN125 X DN50	129	52 / 53	375	69.5	2	1.5
DN125 X DN65	129	70	375	71.5	2	2
DN125 X DN80	129	85	375	71.5	2	2
DN125 X DN100	129	104	375	72.5	2	2
DN150 X DN25	154	28 / 29	450	82	2	1.5
DN150 X DN40	154	40 / 41	450	82	2	1.5
DN150 X DN50	154	52 / 53	450	82	2	1.5
DN150 X DN65	154	70	450	81	2	2
DN150 X DN80	154	85	450	81	2	2
DN150 X DN100	154	104	450	81	2	2
DN100 X DN125	154	129	450	84	2	2

