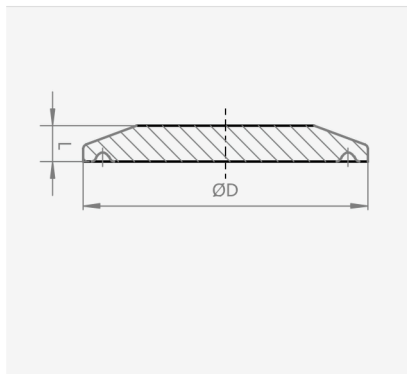
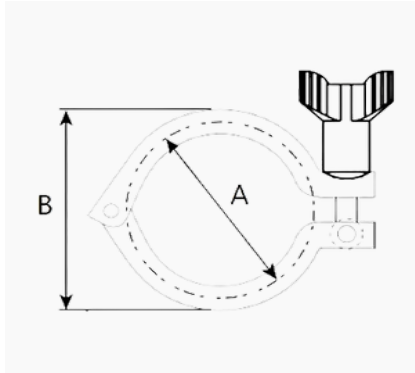
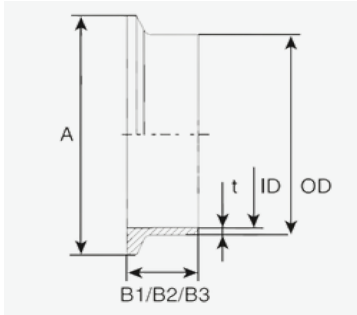




CLAMP FERRULE



Elbow 90 (Weld End)

Ferrule (Inch Standard)

| INCH | OD | A | B1 | B2 | B3 |
|------|-------|-------|------|------|----|
| 1/2" | 12.7 | 25.2 | 12.7 | 21.5 | 28 |
| 3/4" | 19.05 | 25.2 | 12.7 | 21.5 | 28 |
| 1" | 25.4 | 50.5 | 12.7 | 21.5 | 28 |
| 1.5" | 38.1 | 50.5 | 12.7 | 21.5 | 28 |
| 2" | 50.8 | 64 | 12.7 | 21.5 | 28 |
| 2.5" | 63.5 | 77.5 | 12.7 | 21.5 | 28 |
| 3" | 76.2 | 91 | 12.7 | 21.5 | 28 |
| 4" | 101.6 | 119 | 15.9 | 21.5 | 28 |
| 6" | 152.5 | 167.8 | | 21.5 | 28 |
| 8" | 203.2 | 217.7 | | 21.5 | 28 |
| 10" | 254.1 | 268 | | 21.5 | 28 |
| 12" | 304.9 | 319 | | 21.5 | 28 |

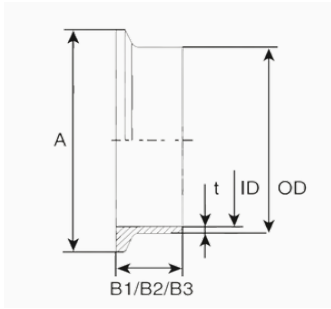
Clamp Ring (Inch Standard)

| INCH | A | B |
|-------------|-------|-------|
| 1/2" & 3/4" | 20 | 28 |
| 1" & 1.5" | 44.4 | 53.6 |
| 2" | 57.8 | 67 |
| 2.5" | 71.4 | 80.6 |
| 3" | 84 | 94.2 |
| 4" | 110 | 122.2 |
| 5" | 133 | 145 |
| 6" | 155.4 | 170.4 |
| 8" | 205 | 220 |
| 10" | 258 | 268 |
| 12" | 300 | 319 |

Ferrule Blank (Inch Standard)

| INCH | OD | L |
|-------------|-------|-----|
| 1/2" & 3/4" | 25.2 | 6 |
| 1" & 1.5" | 50.5 | 6.3 |
| 2" | 64 | 6.3 |
| 2.5" | 77.5 | 6.3 |
| 3" | 91 | 6.3 |
| 4" | 119 | 8 |
| 6" | 167.8 | 11 |
| 8" | 217.7 | 11 |
| 10" | 268.5 | 11 |
| 12" | 319.3 | 11 |





Ferrule (DIN Standard)

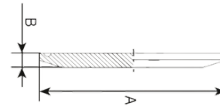
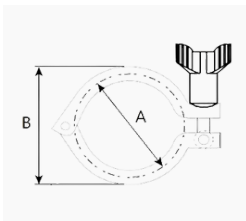
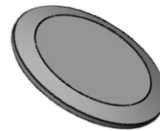
| DIN | A | B1 | B2 | B3 | OD/ID |
|-------|-------|------|------|----|---------|
| DN20 | 50.50 | 12.7 | 21.5 | 28 | 23/20 |
| DN25 | 50.50 | 12.7 | 21.5 | 28 | 29/26 |
| DN32 | 50.50 | 12.7 | 21.5 | 28 | 35/32 |
| DN40 | 50.50 | 12.7 | 21.5 | 28 | 41/38 |
| DN50 | 64 | 12.7 | 21.5 | 28 | 53/50 |
| DN65 | 91 | 12.7 | 21.5 | 28 | 70/66 |
| DN80 | 106 | 12.7 | 21.5 | 28 | 85/81 |
| DN100 | 119 | 12.7 | 21.5 | 28 | 104/100 |
| DN125 | 145 | 12.7 | 21.5 | 28 | 129/125 |
| DN150 | 168 | 12.7 | 21.5 | 28 | 150/154 |
| DN200 | 219 | 12.7 | 21.5 | 28 | 204/200 |

Clamp Ring (DIN Standard)

| DIN | A | B |
|-----|-------|-----|
| 20 | 50.50 | 58 |
| 25 | 50.50 | 58 |
| 32 | 50.50 | 58 |
| 40 | 50.50 | 58 |
| 50 | 64 | 72 |
| 65 | 91 | 99 |
| 80 | 106 | 116 |
| 100 | 119 | 129 |
| 125 | 145 | 155 |
| 150 | 168 | 175 |
| 200 | 219 | 226 |

Ferrule Blank (DIN Standard)

| DIN | A | B |
|-----|-------|------|
| 20 | 50.50 | 6.30 |
| 25 | 50.50 | 6.30 |
| 32 | 50.50 | 6.30 |
| 40 | 50.50 | 6.30 |
| 50 | 64 | 6.30 |
| 65 | 91 | 6.30 |
| 80 | 106 | 6.30 |
| 100 | 119 | 8 |
| 125 | 145 | 11 |
| 150 | 168 | 11 |
| 200 | 219 | 11 |



Ferrule Seal SMS

| INCH | A | B | C |
|------|-------|-------|---|
| 1/2" | 25.20 | 9.45 | 5 |
| 3/4" | 25.2 | 15.75 | 5 |
| 1" | 50.5 | 22.2 | 5 |
| 1.5" | 50.5 | 35.5 | 5 |
| 2" | 64 | 47.6 | 5 |
| 2.5" | 77.5 | 60.3 | 5 |
| 3" | 91 | 73 | 5 |
| 4" | 119 | 97.6 | 5 |
| 6" | 167.8 | 146.8 | 5 |
| 8" | 217.7 | 197.6 | 5 |
| 10" | 268.5 | 247.1 | 5 |
| 12" | 304.9 | 297.9 | 5 |

Ferrule Seal DIN

| DIN | A | B |
|-----|-------|-------|
| 20 | 19.8 | 33.2 |
| 25 | 25.8 | 49.7 |
| 32 | 31.8 | 49.7 |
| 40 | 37.8 | 49.7 |
| 50 | 49.8 | 63.2 |
| 65 | 66.8 | 90.2 |
| 80 | 81.8 | 105.2 |
| 100 | 100.8 | 118.2 |
| 125 | 125.8 | 154.2 |
| 150 | 150.8 | 182.2 |
| 200 | 200.8 | 232.7 |

