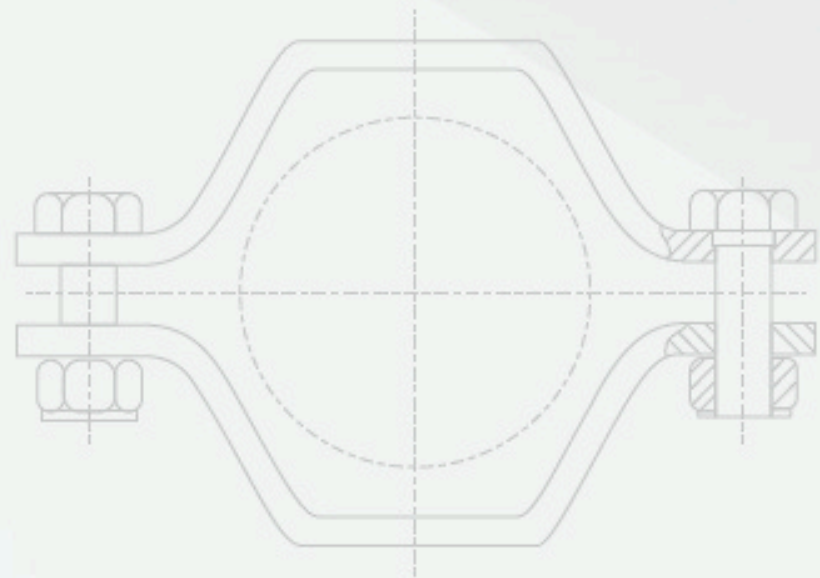


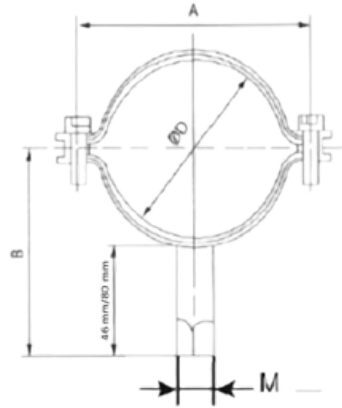
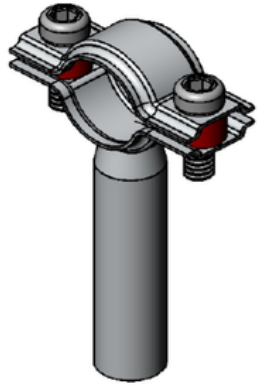
---

# PIPE SUPPORT SERIES



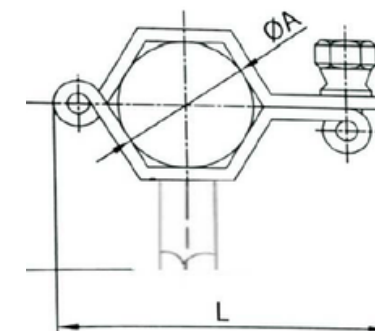
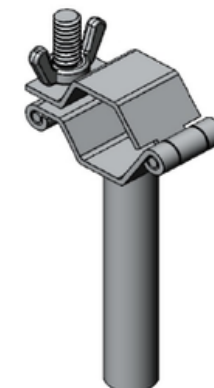
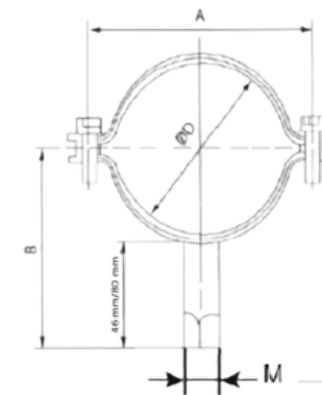
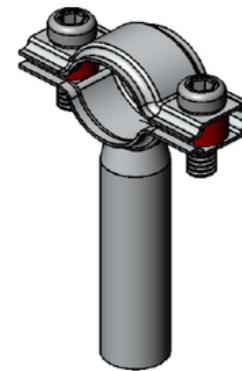
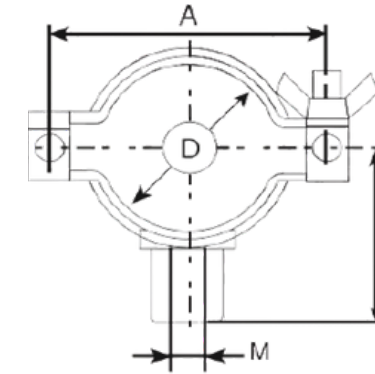
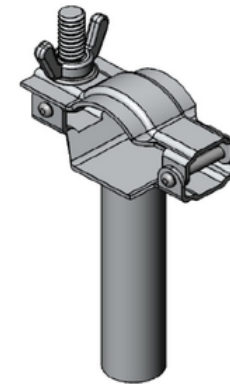


**DIN Pipe Hanger (2 Screw)**



DIN	A	B	M
10	38	90	19
15	52	95	19
20	52	95	19
25	53	95	19
32	56	96	19
40	67	100	19
50	84	110	19
65	100	116	19
80	116	125	19
100	135	130	19
125	175	150	19
150	195	160	19
200	250	200	25.4

Sms Nut



**Pipe Hanger (Single)**

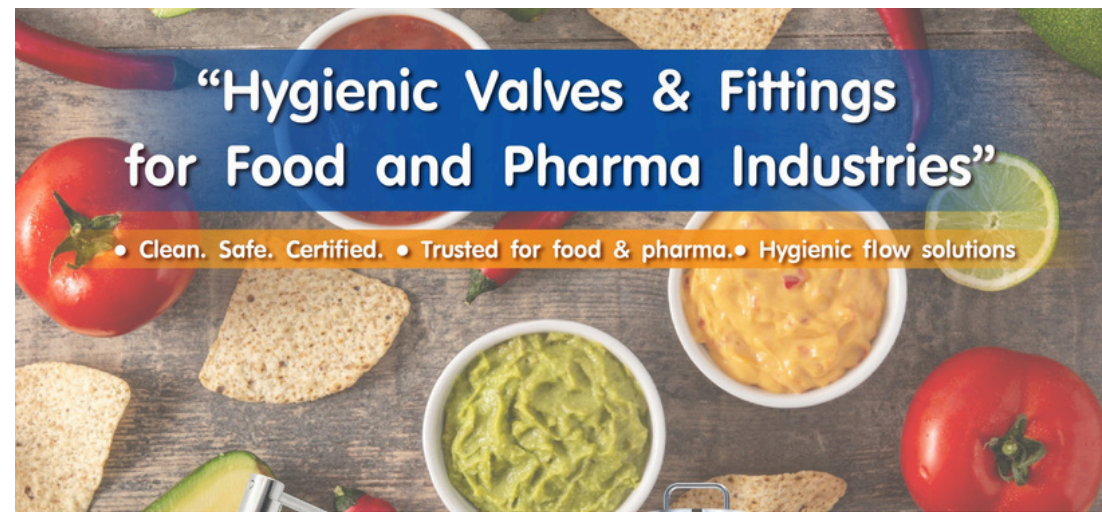
INCH	D	A	B	M
1"	25.4	55.0	95.0	19
1.5"	38.1	69.0	102.0	19
2"	50.8	82.0	110.0	19
2.5"	63.5	95.0	115.0	19
3"	76.3	110.0	121.0	19
4"	101.6	135.0	135.0	19

**Pipe Hanger (2 Screw)**

INCH	D	A	B	M
1"	25.4	55.0	95.0	19
1.5"	38.1	69.0	102.0	19
2"	50.8	82.0	110.0	19
2.5"	63.5	95.0	115.0	19
3"	76.3	110.0	121.0	19
4"	101.6	135.0	135.0	19

**Pipe Hanger (Hex)**

INCH	ØA	L	H
1"	25.4	55.0	95.0
1.5"	38.1	69.0	102.0
2"	50.8	82.0	110.0
2.5"	63.5	95.0	115.0
3"	76.3	110.0	121.0
4"	101.6	148.0	98.0



**“Hygienic Valves & Fittings for Food and Pharma Industries”**

• Clean. Safe. Certified. • Trusted for food & pharma. • Hygienic flow solutions

